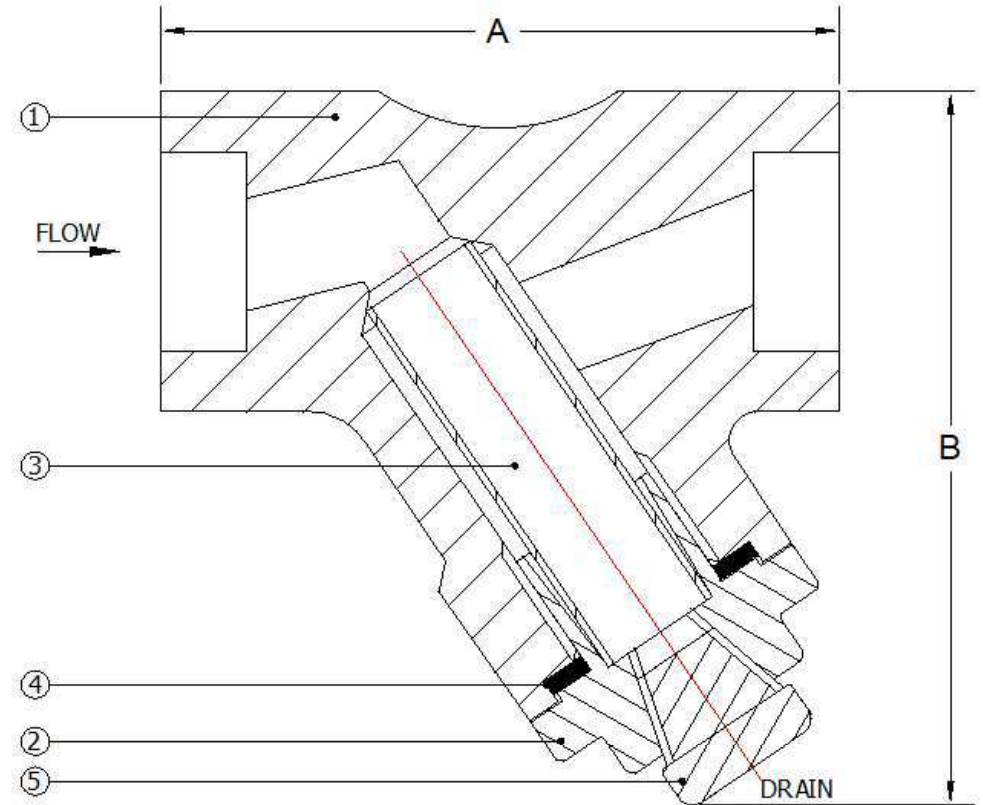


'Y' STRAINER MATERIALS & DIMENSIONS CL800 FNPT/SW

Dimensions									
	1/4"		1/2"		3/4"		1"		
Class	A	B	A	B	A	B	A	B	Units
CL800	80	70	80	70	95	80	116	90	mm
	3.15	2.76	3.15	2.76	3.74	3.15	4.57	3.54	inch

Item	Part	Class	Material
1	Body	CL800	ASTM A105
2	Cover	CL800	ASTM A105
3	Screen	CL800	SS316- 0.9mm Dia. Hole Perf. Sheet
4	Gasket	CL800	Spiral Wound- SS316 + PTFE
5	Studs	CL800	ASTM A193 Gr.B7M
	Nuts	CL800	ASTM A320 Gr.L7M
6	Drain Plug	CL800	ASTM A105

Temperature / Pressure Ratings			
°C	kPag	°F	PSIG
-29 to 38	13,603	-20 to 100	1,973
93	12,480	200	1,810
149	12,045	300	1,747
204	11,638	400	1,688
260	11,087	500	1,608
316	10,446	600	1,515
371	9,742	700	1,413
427	7,570	800	1,098



DESIGN CODE: ASME B16.34

DIMENSION 'A' TOLERANCE IS (±)5MM.

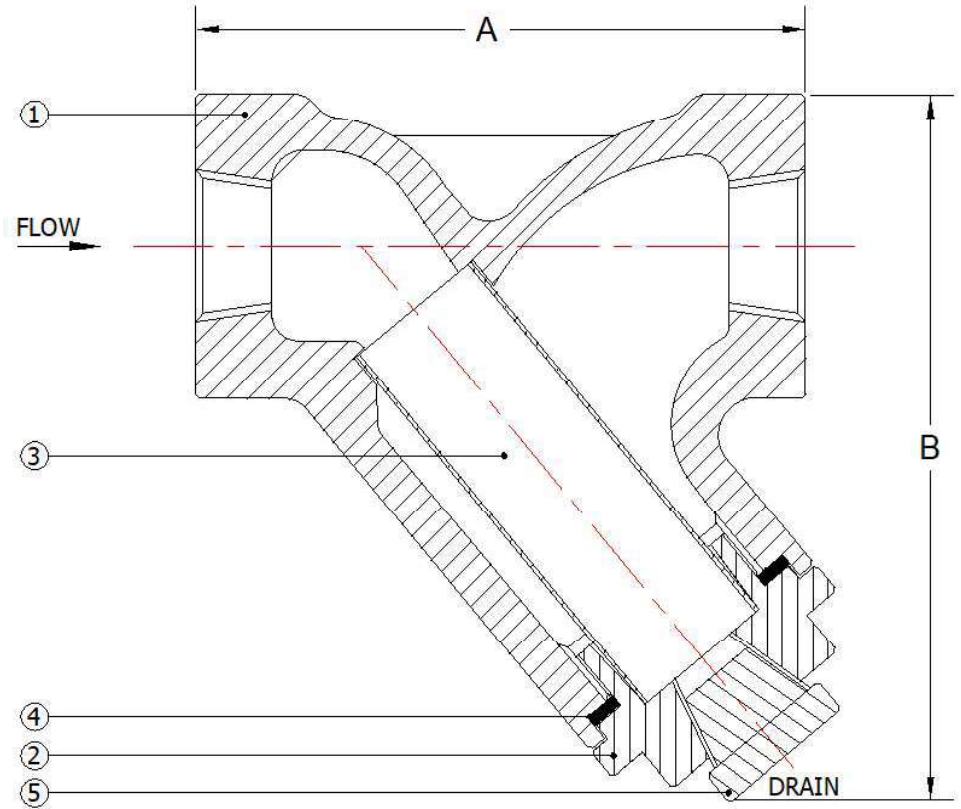
DIMENSION 'B' IS APPROXIMATE.

FNPT OR SOCKET WELD CONNECTIONS

CRN REGISTERED DESIGN

'Y' STRAINER MATERIALS & DIMENSIONS
CL600 & CL1500 FNPT/SW

Dimensions									
Class	1/2"		1"		1-1/2"		2"		Units
	A	B	A	B	A	B	A	B	
CL600	-	-	-	-	158	146	190	180	mm
	-	-	-	-	6.22	5.75	7.48	7.09	inch
CL1500	120	100	140	125	180	150	210	170	mm
	4.72	3.94	5.51	4.92	7.09	5.91	8.27	6.69	inch



Item	Part	Class	Standard -20°F [-29°C]	Low Temp -50°F [-45°C]	Stainless Steel -425°F [-254°C]
1	Body	All	ASTM A216 Gr. WCB	ASTM A352 Gr. LCC	ASTM A351 Gr. CF8M
2	Cover	All	ASTM A216 Gr. WCB	ASTM A352 Gr. LCC	ASTM A351 Gr. CF8M
3	Screen	All	SS316- 3mm Dia. Hole Perf. Sheet		
4	Gasket	CL600 1/2" & 1" CL1500 1-1/2" & 2" CL1500	Spiral Wound- SS316 + PTFE		Spiral Wound- SS316 + PTFE With Carbon Steel Inner Ring
5	Drain Plug	All	ASTM A105	SS316	

DESIGN CODE: ASME B16.34

DIMENSION 'A' TOLERANCE IS (±)5MM.

DIMENSION 'B' IS APPROXIMATE.

FNPT OR SOCKET WELD CONNECTIONS

CRN REGISTERED DESIGN