

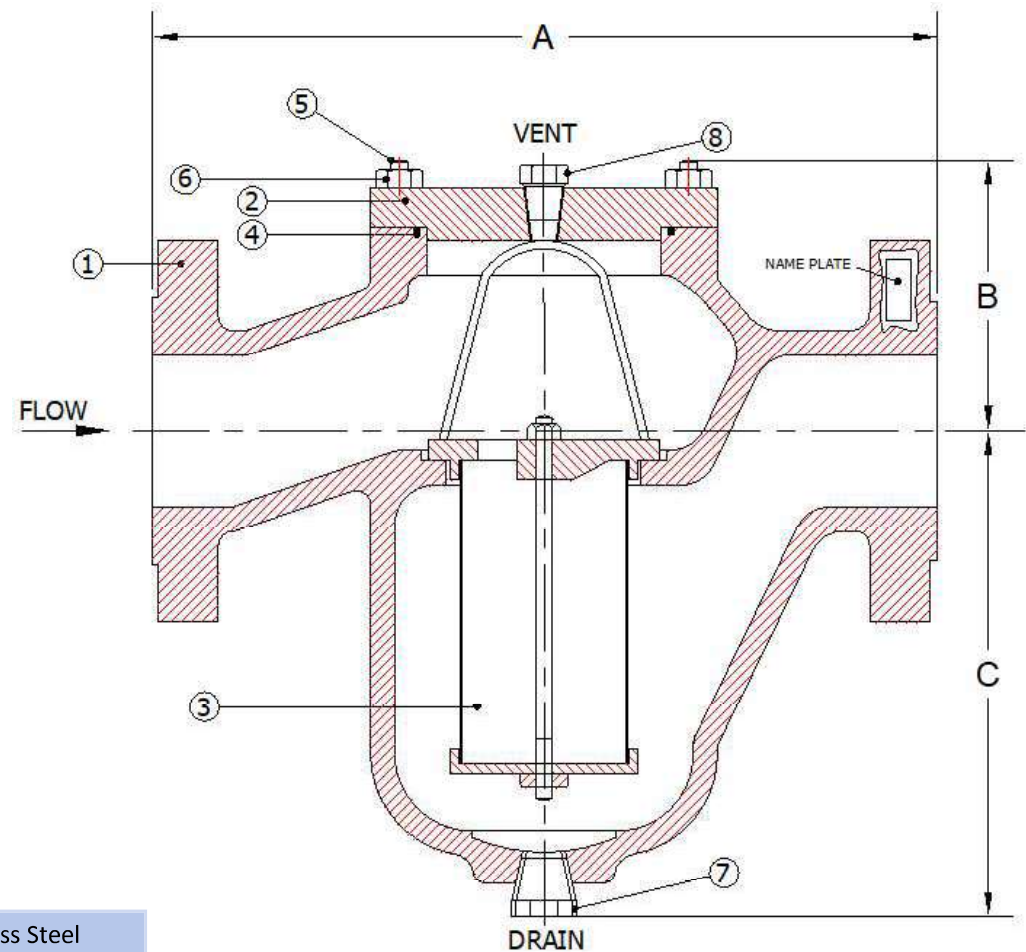


JCI Strainers Ltd.

JCI CAST STRAINERS

BASKET STRAINER MATERIALS & DIMENSIONS 2" CL150 & CL300

Dimensions				
2"				
Class	A	B	C	Units
CL150	263	112	195	mm
	10.4	4.41	7.68	inch
CL300	270	112	195	mm
	10.6	4.41	7.68	inch



Item	Part	Class	Standard -20°F [-29°C]	Low Temp -50°F [-45°C]	Stainless Steel -425°F [-254°C]
1	Body	All	ASTM A216 Gr. WCB	ASTM A352 Gr. LCC	ASTM A351 Gr. CF8M
2	Cover	All	ASTM A216 Gr. WCB	ASTM A352 Gr. LCC	ASTM A351 Gr. CF8M
3	Screen	All	SS316- 3mm Dia. Hole Perf. Sheet		
4	O-Ring	All	Viton		PTFE
5	Studs	All	ASTM A193 Gr.B7M	ASTM A320 Gr.L7M	ASTM A193 Gr.B8MA
6	Nuts	All	ASTM A194 Gr.2HM	ASTM A194 Gr.7M	ASTM A194 Gr.8MA
7	Drain Plug	All	ASTM A105		SS316
8	Vent Plug	All	ASTM A105		SS316
--	Other Internals	All	SS316		

DESIGN CODE: ASME B16.34

DIMENSION 'A' TOLERANCE IS (±)5MM.

DIMENSIONS 'B' & 'C' ARE APPROXIMATE.

CRN REGISTERED DESIGN

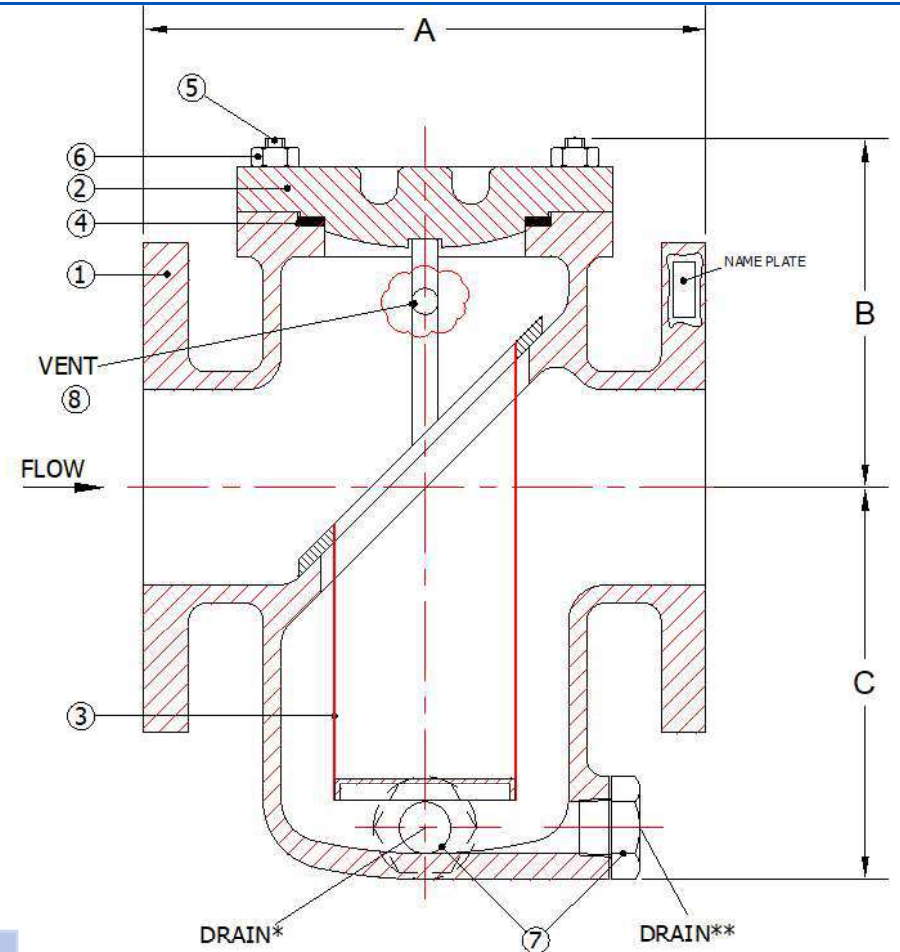


JCI Strainers Ltd.

JCI CAST STRAINERS

BASKET STRAINER MATERIALS & DIMENSIONS 3" THRU 6" CL150 & CL300

Dimensions										
3"			4"			6"				
Class	A	B	C	A	B	C	A	B	C	Units
CL150	230	133	139	284	152	200	352	169	317	mm
	9.06	5.24	5.47	11.2	5.98	7.87	13.9	6.65	12.48	inch
CL300	242	155	140	298	190	200	375	190	318	mm
	9.53	6.10	5.51	11.73	7.48	7.87	14.8	7.48	12.5	inch



*DRAIN LOCATION FOR 3" & 4" CL150 & CL300 STRAINERS
** DRAIN LOCATION FOR 6" CL150 & CL300 STRAINERS

Item	Part	Class	Standard -20°F [-29°C]	Low Temp -50°F [-45°C]	Stainless Steel -425°F [-254°C]
1	Body	All	ASTM A216 Gr. WCB	ASTM A352 Gr. LCC	ASTM A351 Gr. CF8M
2	Cover	All	ASTM A216 Gr. WCB	ASTM A352 Gr. LCC	ASTM A351 Gr. CF8M
3	Screen	All	SS316- 3mm Dia. Hole Perf. Sheet		
4	Gasket	All	AF159		PTFE
5	Studs	All	ASTM A193 Gr.B7M	ASTM A320 Gr.L7M	ASTM A194 Gr.B8MA
6	Nuts	All	ASTM A194 Gr.2HM	ASTM A194 Gr.7M	ASTM A194 Gr.8MA
7	Drain Plug	All	ASTM A105		SS316
8	Vent Plug	All	ASTM A105		SS316
--	Other Internals	All	SS316		

DESIGN CODE: ASME B16.34

DIMENSION 'A' TOLERANCE IS (±)5MM.

DIMENSIONS 'B' & 'C' ARE APPROXIMATE.

CRN REGISTERED DESIGN