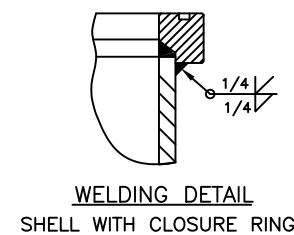
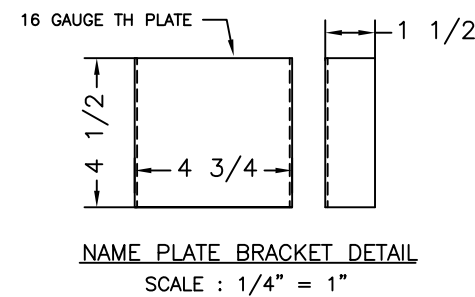
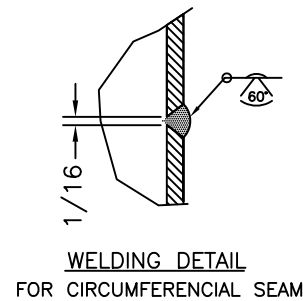
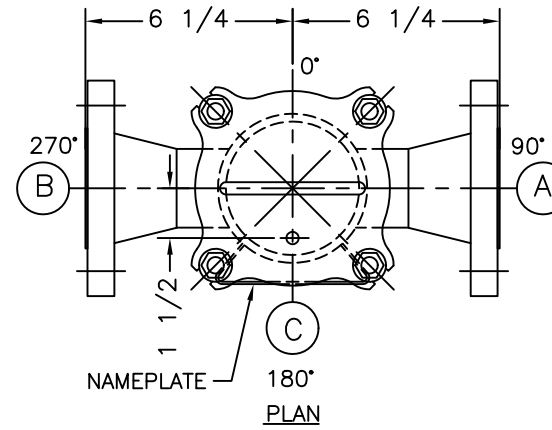


ELEVATION
(SEE PLAN FOR TRUE ORIENTATION OF NOZZLES)



DESIGN DATA

DESIGN PRESSURE	150 PSIG	EFFICIENCY OF HEAD	1.0
DESIGN TEMPERATURE	400 °F	EFFICIENCY OF SHELL	1.0
HYD.TEST PRESS.	195 PSIG	CORR. ALLOW.	1/8"
CODE	ASME SECTION VIII DIV. 1 2013 EDITION	PWHT	1150°F @ 1 HOUR
MDMT	-20°F AT 150 PSIG	RADIOGRAPHY	100% ON BUTT JOINTS
IMPACT TEST EXEMPTION	UG 20f	UT	ON CAT. D JOINTS
		WPS	402B
ASME U STAMP & CRN BC & AB			

MATERIAL SPEC'S.

HEAD (PIPE CAP)	SA-234-WPB	BOLTING	SA-193-B7 ZINC
SHELL/PIPE	SA-53 B/SA-106 B	NUTS	SA-194-2H ZINC
FLANGES	SA-105	GASKETS	VITON O-RING
COUPLINGS	SA-105	NAME PL. BKT.	ASTM-A1011
TOP COVER	SA-516-70	LUGS	SA-36
CLOSURE RING	SA-516-70		

VESSEL OPENING SCHEDULE

MK. NO.	SIZE	RATING	FITTING	REMARKS
A	2"	150 LBS	RFWN	INLET WITH SCH 80 PIPE
B	2"	150 LBS	RFWN	OUTLET WITH SCH 80 PIPE
C	1/2"	6000 LBS	HALF CPLG	DRAIN
D	1/4"		FNPT	VENT

NOTES : * EXTERNAL SURFACE FINISH: BLASTED AND PAINTED
FINISH COLOUR: SAFETY BLUE
* INTERNAL SURFACE FINISH: BARE
* STAMP INLET/OUTLET NOZZLES WITH (IN)/(OUT)

This drawing and the information it contains is confidential and the sole property of Jonell Canada Inc. The drawing has been lent to the borrower for the confidential use only. In consideration of the lending of this drawing, the borrower promises and agrees to return it upon request. It is not to be reproduced, copied, lent or otherwise disposed of directly or indirectly, nor used in any detrimental way to the interest of Jonell Canada Inc

TOLERANCES (EXCEPT AS NOTED)	REVISIONS			TITLE	WO NO.
	NO.	DATE	BY		
DECIMAL	1	11/21	WH	JCF-2-4-150-1-336-WS	1
± 0.25	2				
FRACTIONAL	3				
± 1/4"	4				
ANGULAR	5				
± 1"	6				

DATE: Nov. 2014

SCALE: 1/8" = 1"

SHT.NO: 1 OF 1

Jonell Canada Inc.

