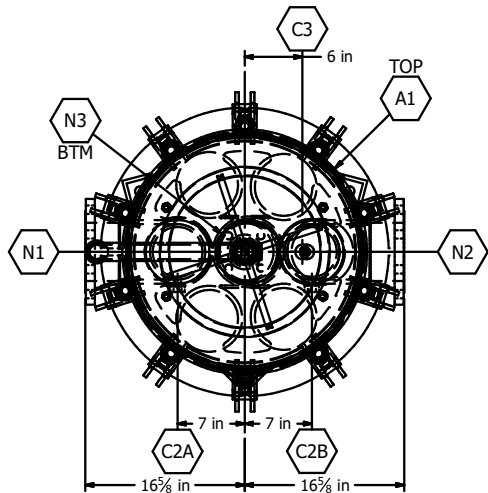
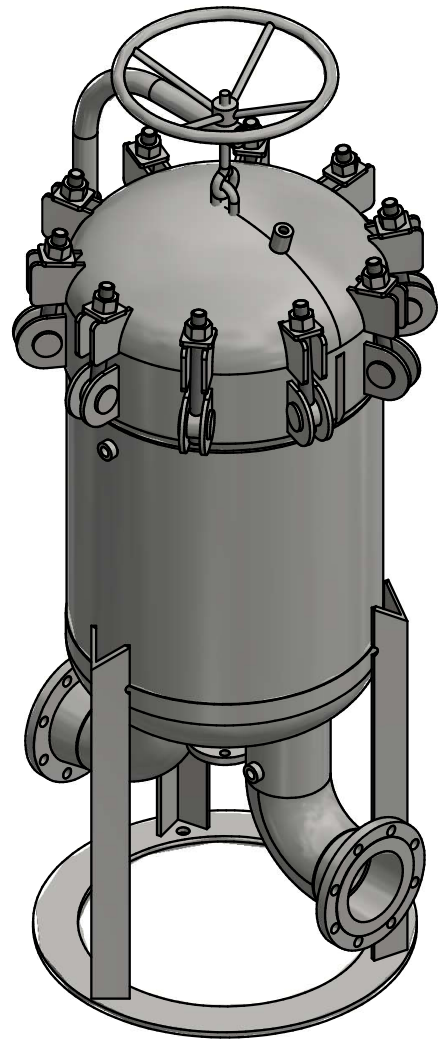
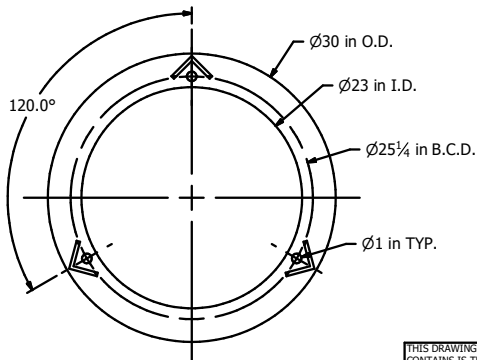


ELEVATION VIEW



BASE BOLT PATTERN



DESIGN DATA

REGISTRATION	CRN: AB/BC
DP (MAWP)	250 psig @ -20/225°F
PWHT	NONE
RADIOGRAPHY	RT2
UT	NONE
CORR. ALLOW.	0.125"
MDMT	-20°F

SCHEDULE OF OPENINGS

TAG	QTY	NPS	CLASS	TYPE	SERVICE
A1	1	24	-	CLOSURE	ACCESS
C3	1	1/2	6000	F.CPLG	CLOSURE VENT
C2A/B	2	1/2	6000	F.CPLG	DPI
C1	1	1/2	6000	F.CPLG	VENT
N3	1	2	150	RFWN	DRAIN
N2	1	6	150	RFWN	OUTLET
N1	1	6	150	RFWN	INLET

REPLACEMENT ELEMENTS	P2 BAGS (x6)
SURFACE FINISH	1 s/c CLOVERDALE 74 SERIES, 2592 SAFETY BLUE, 2-3mils DFT

THIS DRAWING AND ALL THE INFORMATION IT CONTAINS IS THE SOLE PROPERTY OF JCI FILTRATION & SEPARATION INC. IT HAS NOT BEEN PUBLISHED AND IS CONFIDENTIAL. THE DRAWING HAS BEEN LENT TO THE BORROWER FOR THEIR CONFIDENTIAL USE ONLY. IN CONSIDERATION OF THE LENDING OF THIS DRAWING, THE BORROWER PROMISES AND AGREES TO RETURN IT UPON REQUEST. IT IS NOT TO BE REPRODUCED, COPIED, LENT, OR OTHERWISE DISPOSED OF DIRECTLY OR INDIRECTLY, NOR USED IN ANY WAY DETRIMENTAL TO THE INTERESTS OF JCI FILTRATION & SEPARATION INC. JCI AND THE JCI LOGO ARE TRADEMARKS OF JCI HOLDINGS LTD., USED UNDER LICENSE BY JCI FILTRATION & SEPARATION INC.

JCI Filtration & Separation Inc.

2929 15th ST NE - Calgary, AB T2E 7L8
T:(403) 313-1559 F:(403) 280-7926



**Bag Filter Housing - 24" I.D. x 24" S/S
JCI Model JBF-6-24-250-6-P2**

DWG CREATION DATE: 07-Apr-21

DWG NR:

JBF-6-24-250-6-P2.idw