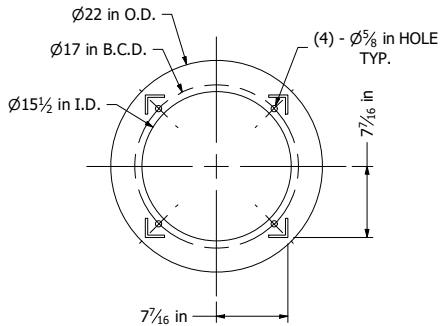
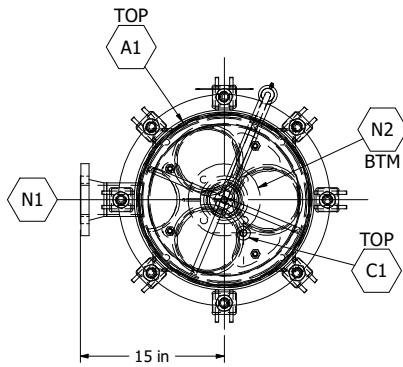
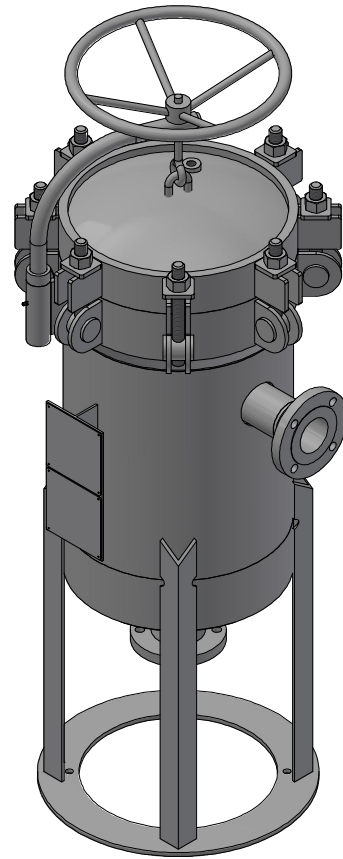


ELEVATION VIEW



BASE BOLT PATTERN



DESIGN DATA					
REGISTRATION	CRN: AB/BC/SASK	NATIONAL BOARD: YES			
DP (MAWP)	250 psig @ -49/150°F				
PWHT	NONE				
RADIOGRAPHY	RT3				
UT	NONE				
CORR. ALLOW.	NIL				
VESSEL MATERIAL	316/316L				
DAVIT MATERIAL	CARBON STEEL				
SCHEDULE OF OPENINGS					
TAG	QTY	NPS	CLASS	TYPE	SERVICE
A1	1	18	150	CLOSURE	ACCESS
C1	1	1/2	6000	H.CPLG	VENT
N2	1	3	150	PIPE/ RFWN	OUTLET
N1	1	3	150	PIPE/ RFWN	INLET
REPLACEMENT ELEMENTS				P2 BAGS (x3)	
VESSEL SURFACE FINISH				BRUSH CLEAN	
DAVIT FINISH				1 s/c CLOVERDALE 74 SERIES, 2592 SAFETY BLUE, 2-3mils DFT	

THIS DRAWING AND ALL THE INFORMATION IT CONTAINS IS THE SOLE PROPERTY OF JCI FILTRATION & SEPARATION INC. IT HAS NOT BEEN PUBLISHED AND IS CONFIDENTIAL. THE DRAWING HAS BEEN LENT TO THE BORROWER FOR THEIR CONFIDENTIAL USE ONLY. IN CONSIDERATION OF THE LENDING OF THIS DRAWING, THE BORROWER PROMISES AND AGREES TO RETURN IT UPON REQUEST. IT IS NOT TO BE REPRODUCED, COPIED, LENT, OR OTHERWISE DISPOSED OF DIRECTLY OR INDIRECTLY, NOR USED IN ANY WAY DETRIMENTAL TO THE INTERESTS OF JCI FILTRATION & SEPARATION INC. JCI AND THE JCI LOGO ARE TRADEMARKS OF JCI HOLDINGS LTD., USED UNDER LICENSE BY JCI FILTRATION & SEPARATION INC.

JCI Filtration & Separation Inc.

2929 15th ST NE - Calgary, AB T2E 7L8
T:(403) 313-1559 F:(403) 280-7926



**Bag Filter Housing - 18" O.D. x 20" S/S
JCI Model JBF-3-18-250-3-P2-SS**

NOTE THAT ALL DETAILS ARE APPROXIMATE AND NOT SUITABLE FOR PIPING OR FIT-UP PURPOSES. AT TIME OF ORDER, ISSUED FOR CONSTRUCTION DRAWINGS WILL BE PROVIDED TO VERIFY DETAILS FOR PIPING AND FIT-UP.